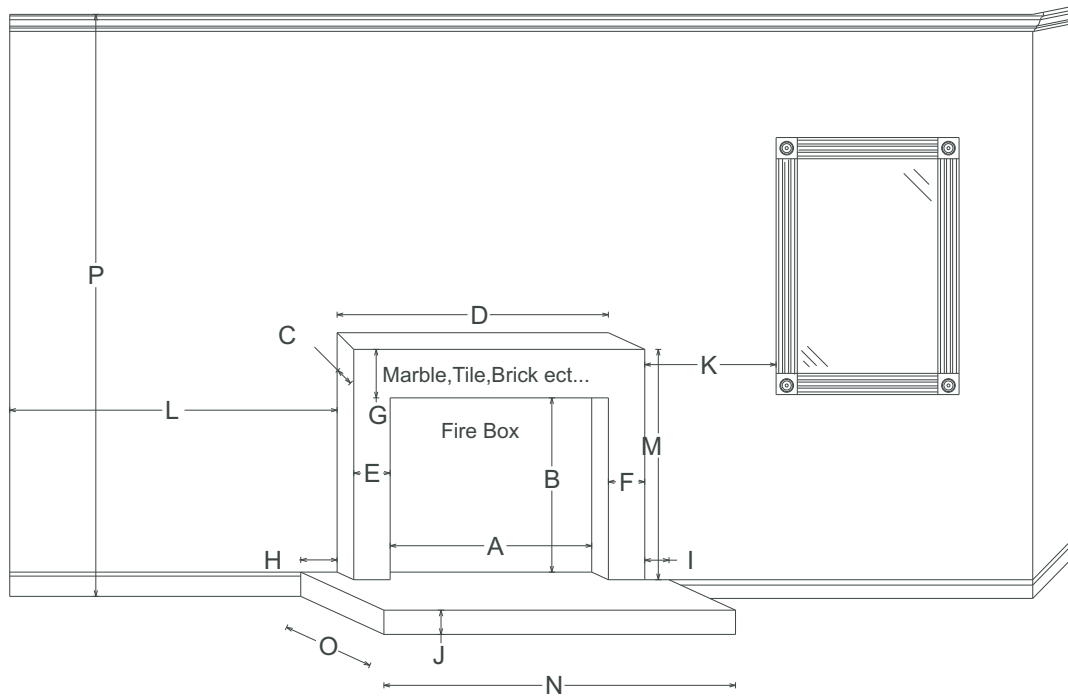


The Wood Works LLC
 1111 N. Black Horse Pike
 Williamstown, NJ 08064
 856-728-4520
 thewoodworks-nj.com



Please fill in the following measurements that apply.

If your situation is different than this illustration,
 please let us know & sketch on back.

- | | | | |
|---------|------------------------|---------|--|
| _____ A | Inside Marble Width | _____ I | Hearth Side Clearance |
| _____ B | Inside Marble Height | _____ J | Hearth Height |
| _____ C | Marble Projection | _____ K | Side Clearance |
| _____ D | Overall Marble Width | _____ L | Side Clearance |
| _____ E | Left Marble Leg Width | _____ M | Distance to Top of Marble |
| _____ F | Right Marble Leg Width | _____ N | Hearth Width |
| _____ G | Top Marble Height | _____ O | Hearth Depth |
| _____ H | Hearth Side Clearance | _____ P | Ceiling Height (If Getting
Top Section) |

Note: Mantle Will Overlap Outside Edges Of Marble 1/4"