

Please Complete For Quote
Bar Work Sheet

Bar Style ?

Wide Panel	Narrow Panel	Double Tiered	Shaker Style	Slat Style
Raised Only	Raised	Raised	Flat Only	
	Flat	Flat		

Wood Species ?

Oak	Pine	Maple	Mahogany	Cherry	Poplar
-----	------	-------	----------	--------	--------

Bar Shape ?

Free Standing	Straight	L	45 Deg.	U
---------------	----------	---	---------	---

Bar Top Length ?

Flip Top ?

Yes	No
-----	----

Left Side ?

Wall Butt	Finished Return
-----------	-----------------

Right Side ?

Wall Butt	Finished Return
-----------	-----------------

Foot Rest ?

Yes	No
-----	----

Clip Corner ?

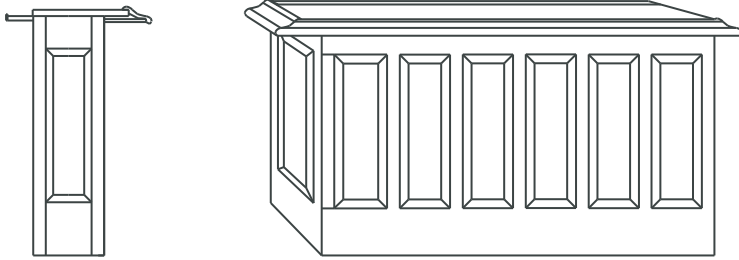
Yes	No
-----	----

The Wood Works LLC
1111 N. Blackhorse Pike
Williamstown, N.J., 08094
856-728-4520

Scratch Area

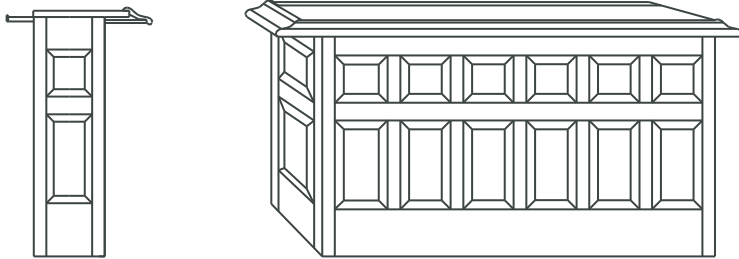
Please Provide Down View Of Bar Top

Narrow Panels



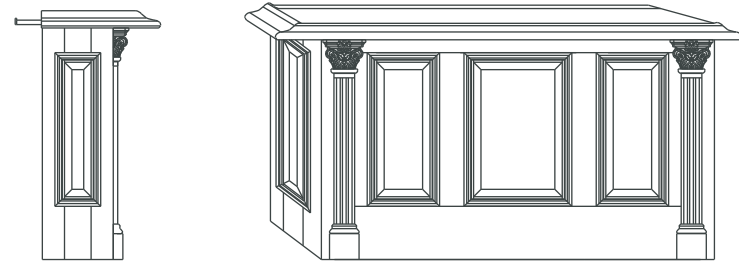
- Panels are normally 12" or less
- Solid wood raised or flat panels, stiles & rails
- Bar Top is made of solid 1-1/16" thick wood
- Made to your sizes
- Unfinished and ready for stain or have it professionally stained or painted
- Other bar rails also available
- Footrest available

Double Panels



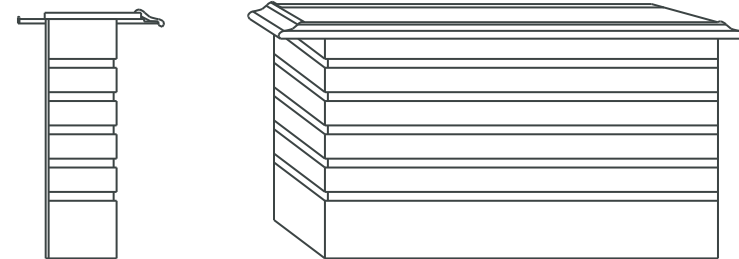
- Same as Narrow Panels (above)
- Upper panels measure 7-1/4" height
- Lower panels measure 14-5/8" height

Wide Molded Panels



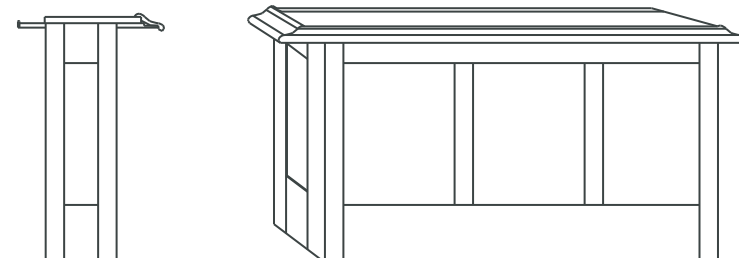
- Wide Molded Panels
- Solid wood raised panels, stiles & rails
- Panels are enhanced with wood mouldings to add extra depth and detail
- Fluted pilasters with plinths and capitals
- Bar Top is made of solid 1-1/16" thick wood
- Made to your sizes
- Unfinished and ready for stain or have it professionally stained or painted
- Other bar rails also available
- Footrest available

Slat Wall



- Designed for today's modern homes
- Solid wood construction
- Bar Top is made of solid 1-1/16" thick wood
- Made to your sizes
- Unfinished and ready for stain or have it professionally stained or painted
- Other bar rails also available
- Footrest available

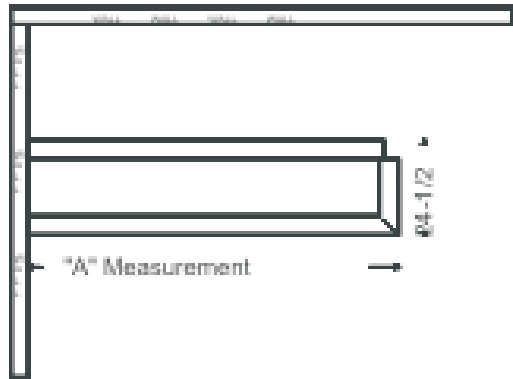
Shaker



- Recessed flat panels
- Square edges
- Bar Top is made of solid 1-1/16" thick wood
- Made to your sizes
- Unfinished and ready for stain or have it professionally stained or painted
- Other bar rails also available
- Footrest available

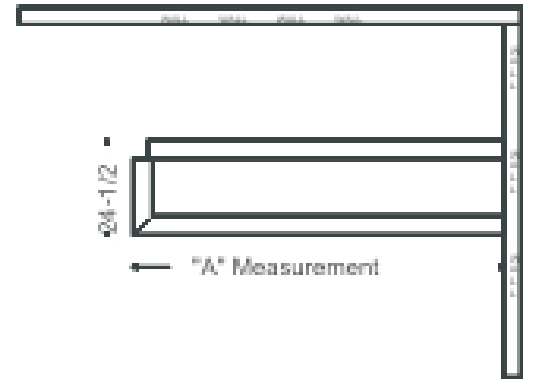
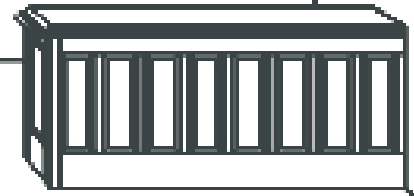
Straight Bar Unit

LEFT HAND WALL BUTT

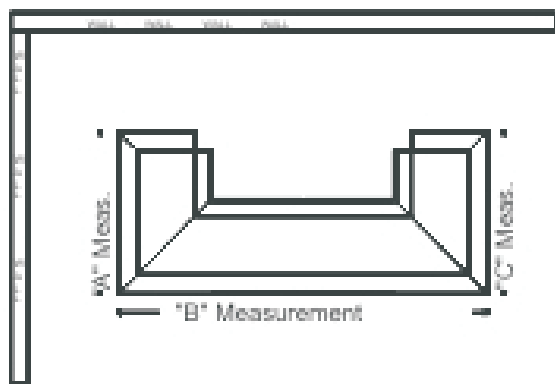
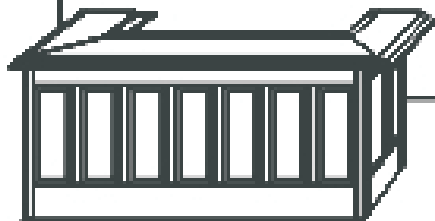


Straight Bar Unit

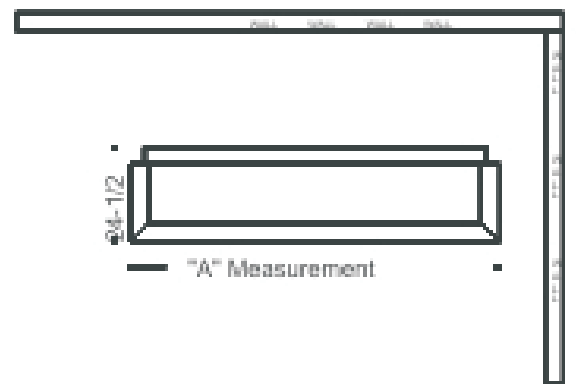
RIGHT HAND WALL BUTT

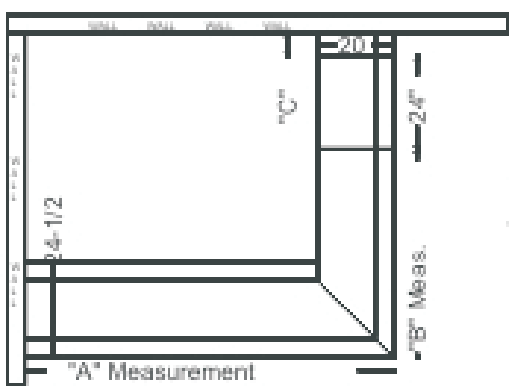
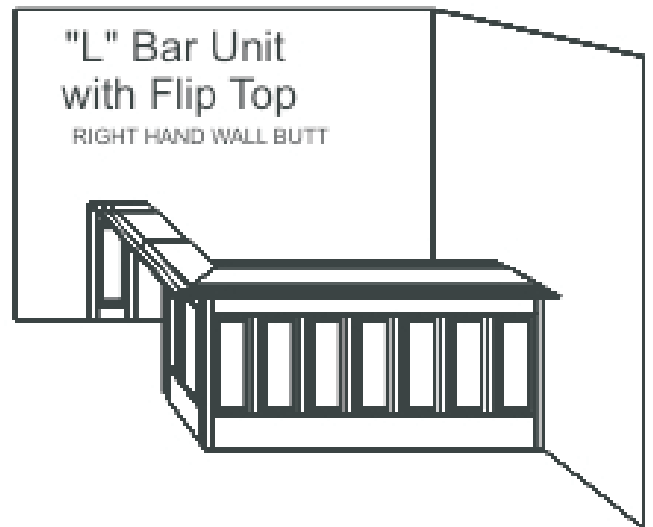
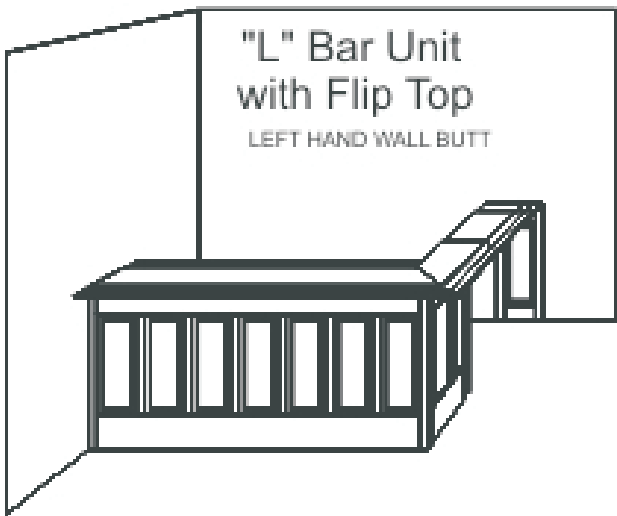
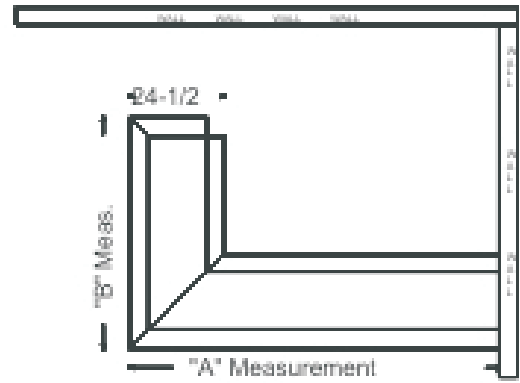
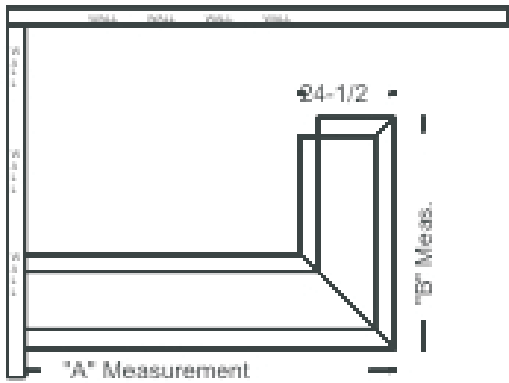
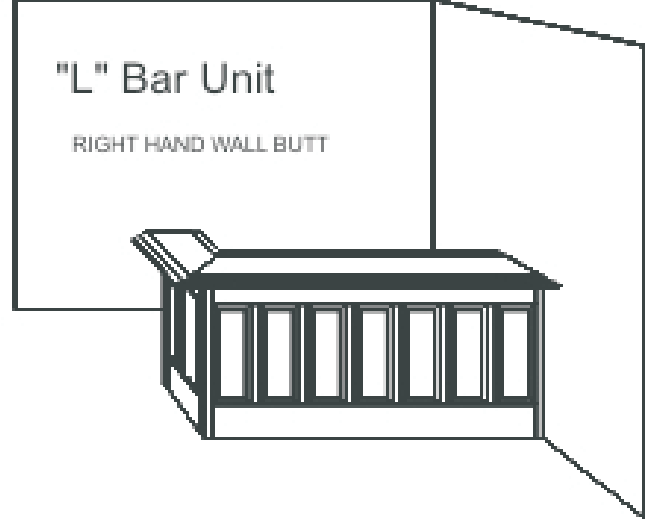
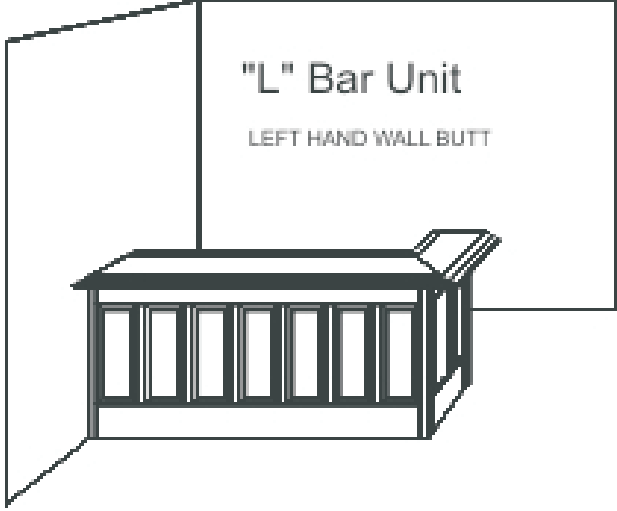


Free - Standing Bar Unit

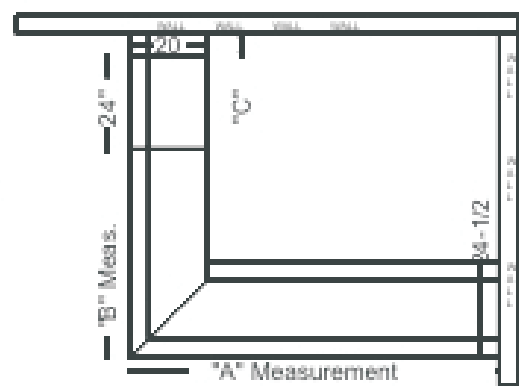


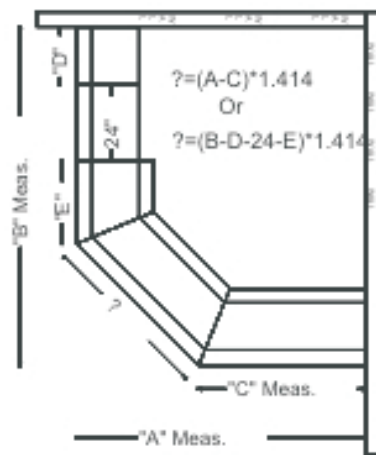
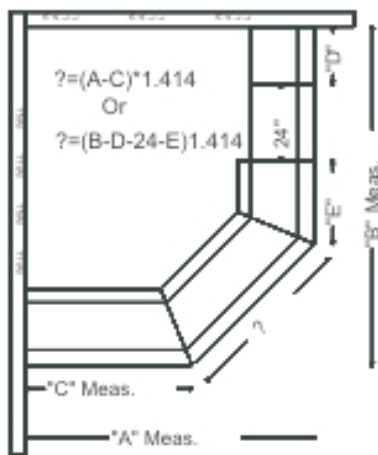
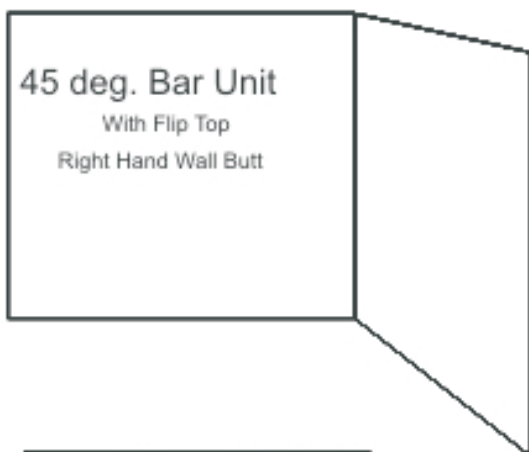
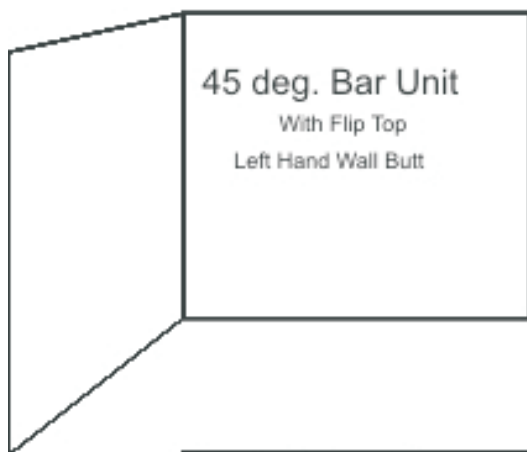
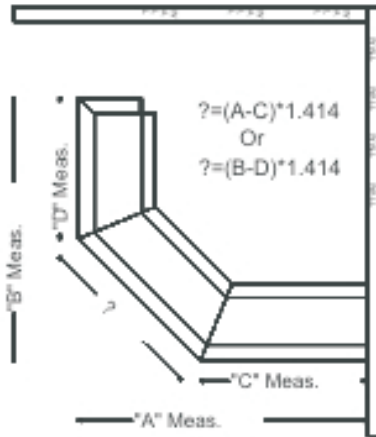
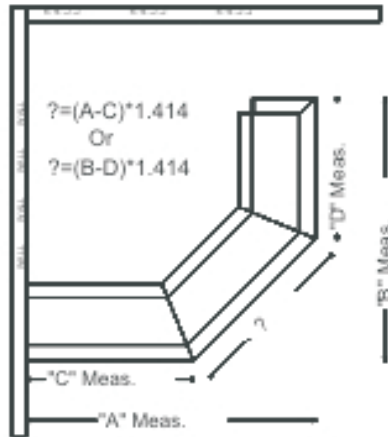
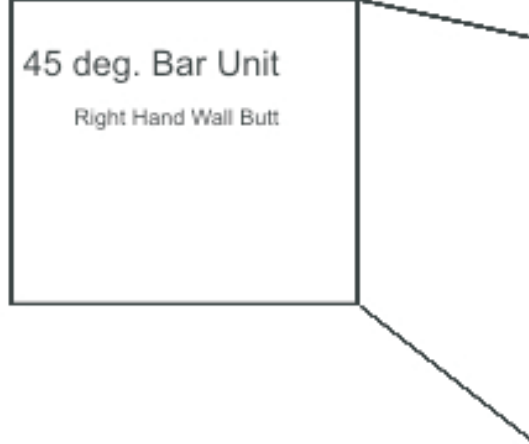
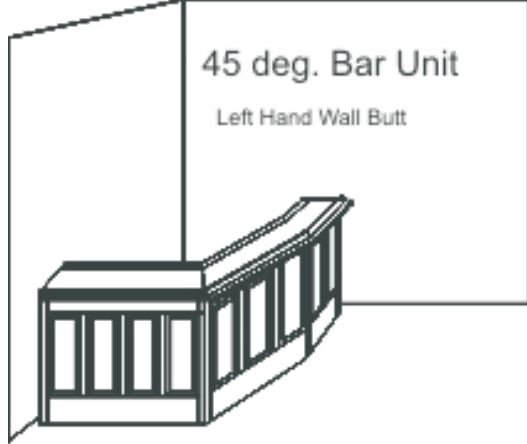
Free - Standing Bar Unit

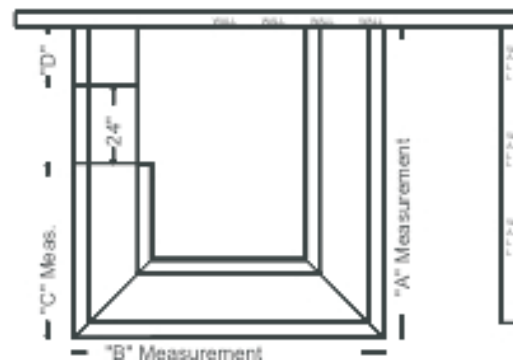
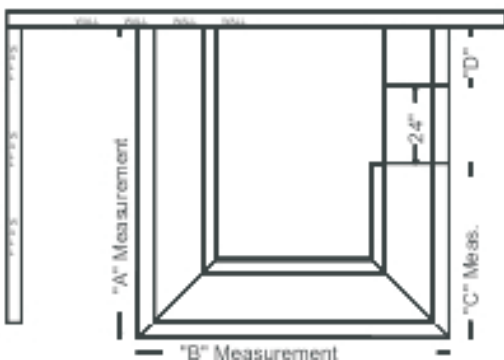
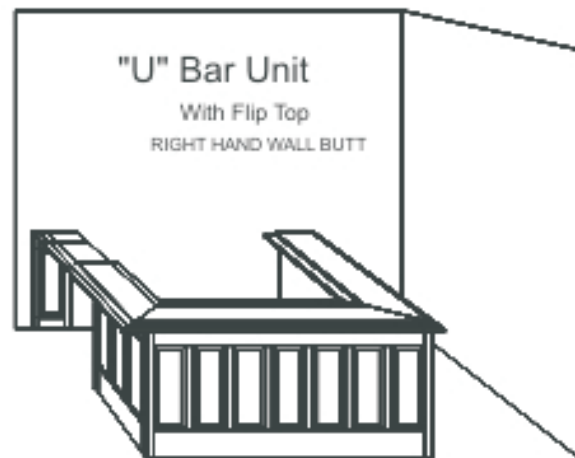
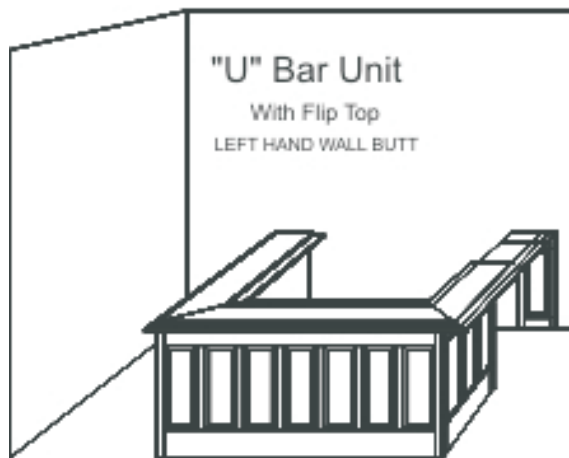
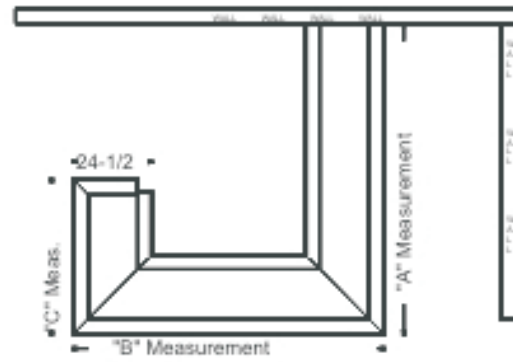
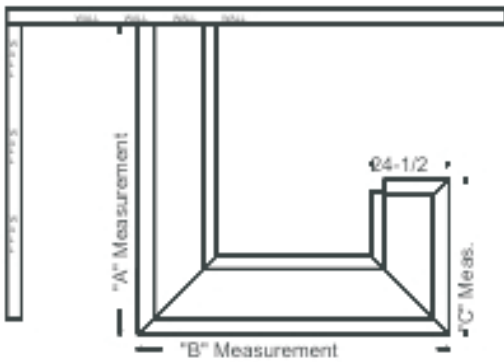
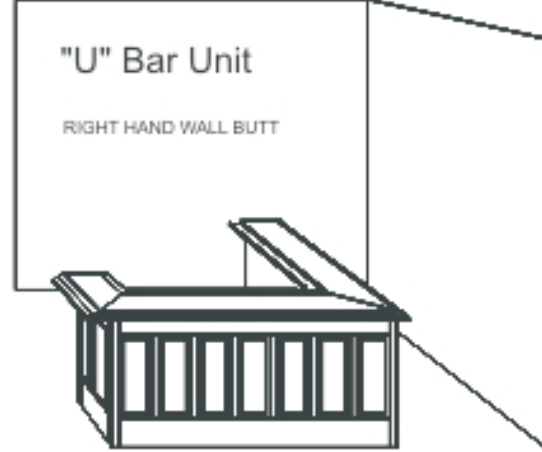
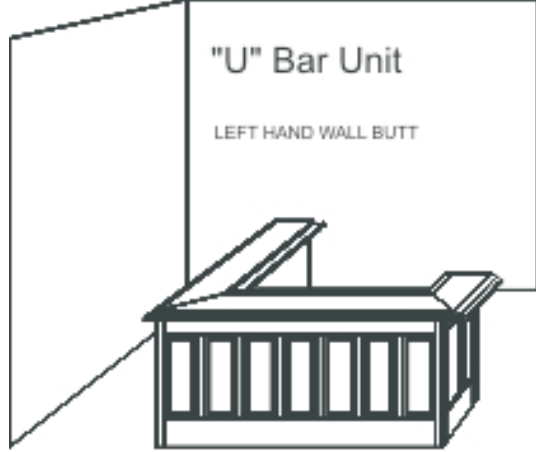




Note: "C" Meas.
can not be less
than 6".

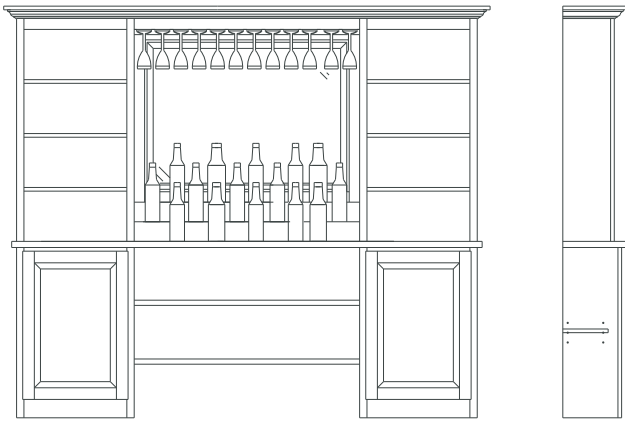




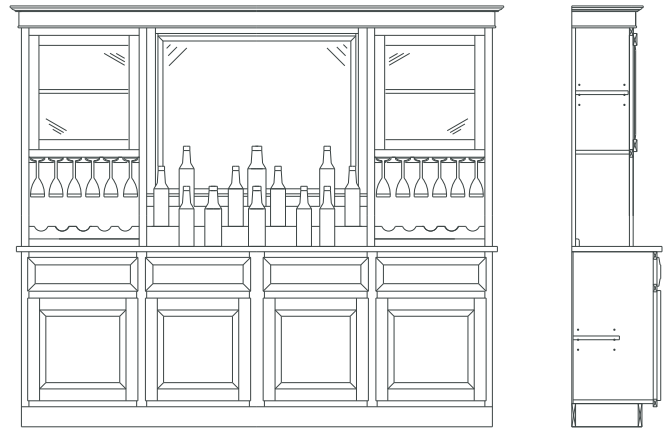


Back Bar Designs

Z-3 Back Bar



Z-6 Back Bar



This economical back bar is very popular and can be made any size. Designed to be simple but also elegant. It features two base cabinets (each with 1 adjustable shelf) with 2 adjustable shelves in between. A 3/4" quality wood veneered plywood countertop with a 1-1/4" solid wood drop edge. Two top cabinets with 3 adjustable glass shelves in each. A 2 tier bottle step, mirror, and stemware holders for glasses.

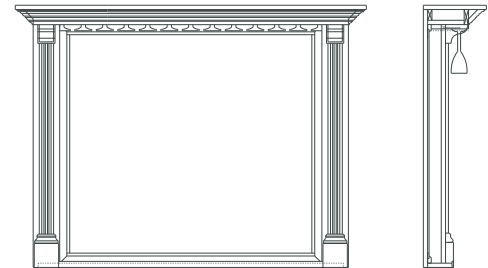
This back bar can be made any size and has many charming features. The bottom base cabinets feature doors, drawers, and 1 adj. shelf per cabinet and a solid 1-1/16" countertop. The top section features a 2 tier bottle step, mirror, stemware holders for wine glasses, 2 wine bottle shelves, 2 doors with clear glass and a 1/4" thick adj. glass shelf behind each door. Top section of back bar can be made as one piece from the countertop up or made as multiple pieces for ease of transport or to get it into your basement. On the bottom half the base cabinets would be broken apart and sent as separate cabinets.

**The Wood Works LLC, 1111 N. Black Horse Pike, Williamstown, NJ 08094
856-728-4520**

Z-10 Back Bar



101 Back Bar



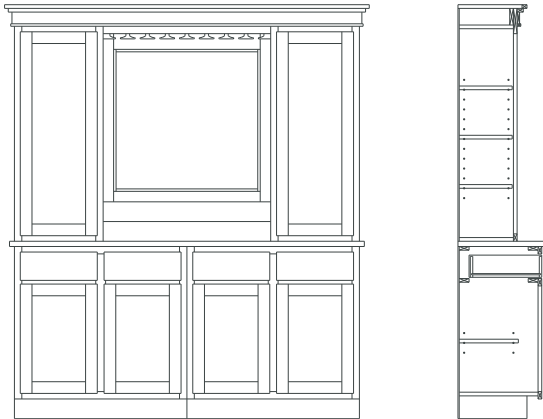
This back bar can be made any size and has many charming features. The bottom base cabinets feature doors, drawers, and 1 adj. shelf per cabinet and a solid 1-1/16" countertop. The top section features a wine cabinet that hold several bottles and stemware holders for glasses, with a clear glass door. The second cabinet has four 1/4" thick adjustable glass shelves and also a clear glass door. The center cabinet features two solid wood fluted columns and two half columns behind them, A 2-tier bottle step and a mirror. Top section of back bar can be made as one piece from the countertop up or made as multiple pieces for ease of transport or to get it into your basement. On the bottom half the base cabinets would be broken apart and sent as separate cabinets.

This backbar is designed for small spaces. It can be hung on the wall or can be set on a wall bar to give you the look of a bigger backbar, but with less space used. Backbar features stemware holders for glasses, beveled mirror, and a bottle shelf.

The Wood Works LLC
1111 North Blackhorse Pike
Williamstown, N.J., 08094
856-728-4520
Fax 856-875-1428
www.thewoodworks-nj.com

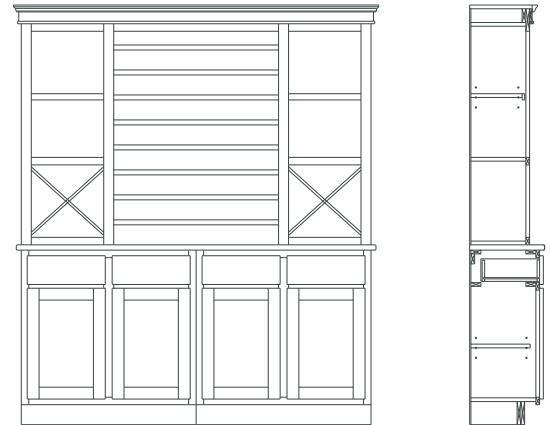
Back Bar Designs

Shaker Style Backbar



This back bar can be made any size and has a simplistic charm to it. The bottom base cabinets feature doors, drawers, and 1 adj. shelf per cabinet and a solid 1-1/16" countertop. The top section features two side cabinets with 3 adj. shelves and flat panel doors on each side. The center section has a 2-tier bottle step, mirror and stemware holders for glasses. The top section of back bar can be made as one piece from the countertop up or made as multiple pieces for ease of transport or to get it into your basement. On the bottom half the base cabinets would be broken apart and sent as separate cabinets.

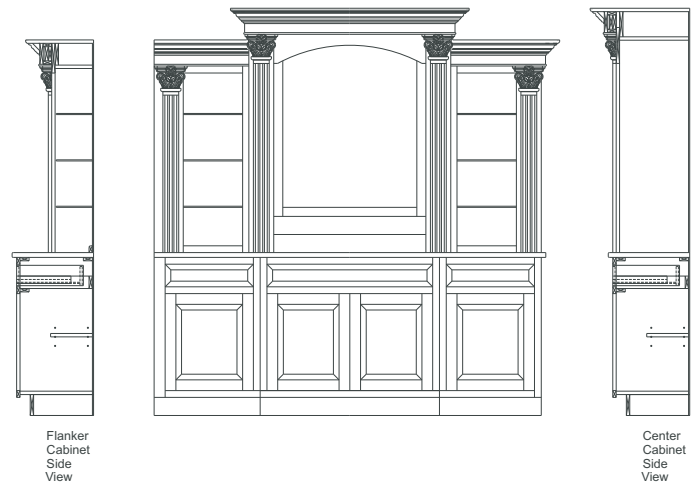
Slat Style Backbar



This back bar can be made any size and has a rustic charm to it. The bottom base cabinets feature doors, drawers, and 1 adj. shelf per cabinet and a solid 1-1/16" countertop. The top section features two side cabinets with an adj. shelf and wine bottle holders in each side. The center section just has slats perfect for mounting your t.v. to it. The top section of back bar can be made as one piece from the countertop up or made as multiple pieces for ease of transport or to get it into your basement. On the bottom half the base cabinets would be broken apart and sent as separate cabinets.

The Wood Works LLC, 1111 N. Black Horse Pike, Williamstown, NJ 08094
856-728-4520

Stl-3 Backbar



Flanker Cabinet Side View

Center Cabinet Side View

The Wood Works LLC

1111 North Blackhorse Pike
Williamstown, N.J., 08094
856-728-4520
Fax 856-875-1428
www.thewoodworks-nj.com

The design of this backbar adds elegance and charm to any home and it can be made to any size. The base cabinets feature 3-drawers, 4-doors, 1-adj. shelf per cabinet, and a solid 1-1/16" wood countertop. The top section features a 2 tier bottle step, mirror, six 1/4" thick glass adjustable shelves, fluted trim and a radius top rail in center cabinet. The top section of back bar can be made as one piece from the countertop up or made as multiple pieces for ease of transport or to get it into your basement. On the bottom half the base cabinets would be broken apart and sent as separate cabinets.